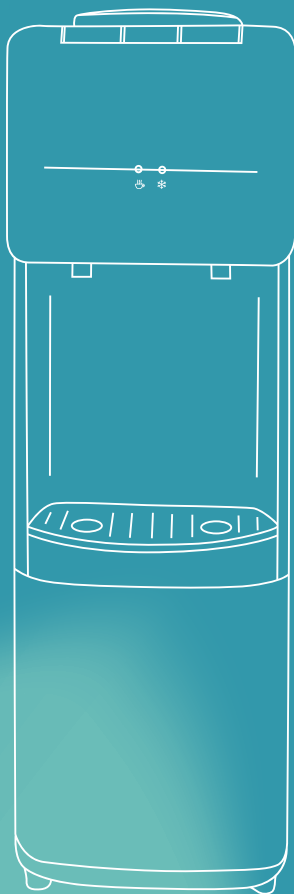


SKU: ZX-WC-X-AZ-HM

WATER COOLER

Instruction Manual



Thank you very much for purchasing our water cooler.

Before using your water cooler, please read this owner's manual carefully and keep it for future reference.

If you have any questions, please contact customer service: support@homyd.com;

We will do our best to answer you!

Congratulations

Dear Customer, So lucky to meet you guys !!!

Thank you for your trust in our products!

We want to provide you with sincere service. If there are any omissions or errors in your order. If you have any questions about using our products. Please contact us.

Email - (support@homyd.com).

Our team will answer your queries online within 24 hours. Your satisfaction is our ultimate goal. We would appreciate it if you could share your experience with other shoppers on Amazon. If you just want to see a description of the problem, you can go straight to page 10 or contact us directly.

Email: support@homyd.com

Our mission: to be the most trusted brand of electrical appliances, creating small and practical appliances that make your life better.

TABLE OF CONTENTS

Safety Precautions	02
Warning	03
Installation Guidelines	04
Operating Instructions	05-06
Steps To Replace Water Bottles	07
Caution	08-09
Maintenance	10
Troubleshooting Guide	11
Warranty and Service	12

| Safety precautions

Safety information

DANGER

DANGER - Immediate hazards which **WILL** result in severe personal injury or death

WARNING

WARNING - Hazards or unsafe practices which **COULD** result in severe personal injury or death

CAUTION

CAUTION - Hazards or unsafe practices which **COULD** result in minor personal injury

Important safety instructions

! WARNING

When using electrical appliances, basic safety precautions should be followed, including the following:

- This water dispenser is not recommended for outdoor use.
- Do not locate the dispenser in area where the temperature may fall below freezing (32° F).
- Keep area around dispenser free of dust and dirt.
- Keep the reserve supply of water bottles away from excessive heat.
- Never unplug the water dispenser except for maintenance or extended periods of inactivity.
- Never change the power cord and never extend the length of the power cord.

Warning



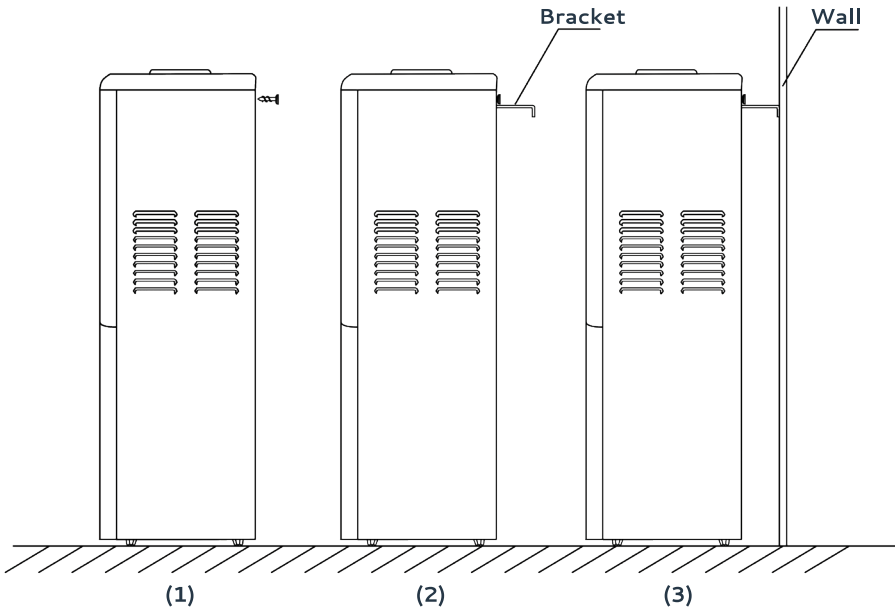
To reduce the risk of fire, electrical shock, or injury when using your appliance, follow these basic precautions:

- Read all instructions before using the water dispenser.
- Never clean parts with flammable fluids. The fumes can create a fire hazard or explosion.
- Do not store or use gasoline or any other flammable vapors and liquids in the vicinity of this or any other water dispenser. The fumes can create a fire hazard or explosion.
- To avoid a hazard due to instability of the appliance, it must be fixed in accordance with the instructions.
- The first time to use water cooler, must connect water first, when the water comes out from the water spout, then it can connect the electricity. In any case, connecting the dispenser to electricity without water is forbidden.
- Insert or pull out the plug to start or turn off the water cooler is forbidden.
- When doing cleanout or maintenance or stopping the dispenser for a long time, you must pull out the plug and when the hot water turns cold, open the drain valve until no water remains.
- The cleanout should be done timely to ensure the water quality.
- Children should not be allowed to play with water spout or they will get burnt.
- Never use organic liquids to clean the machine. Use the ON/OFF switch to turn the machine on or off, do not turn the machine on or off by plugging or unplugging the power cord. Do not extend the length of the power cord as this may cause a fire.
- For this model (with compressor), do not turn the machine upside down or tilt it more than 45° because the thermostat of this model is already adjusted, do not adjust it yourself.
- When the power cord or other parts are damaged, they must be replaced by a professional.
- We reserve the right to interpret this manual.
- Do not contact the on/off refrigeration button at the same time, this may cause the appliance to protect and not work. If you encounter this situation, you can switch off the machine and leave it for half an hour, and the appliance will return to its normal state.

I Instllation Guidelines

Instllation Guidelines

- Remove the exterior and interior packing.
- Place your appliance on a floor that is strong enough to support the dispenser when it is fully loaded. The unit is provided with four plastic feet, if it does not sit level on the floor, adjust the front feet to level the unit well to the floor.



- Locate the appliance away from direct sunlight and sources of heat (stove, heater, radiator, etc.). Direct sunlight may affect the acrylic coating and heat sources may increase electrical consumption. Extreme cold ambient temperatures may also cause the appliance not to perform properly.
- Allow 2 inches of space between the water dispenser and the wall, which allows for proper air circulation to cool the compressor.

I Operating Instructions

Operating condition

- This machine is suitable for bottle of 3 or 5 gallons. Don't use unhealthy hard water. This machine should work under environment of temperature from 10°C–38°C, relative humidity not higher than 90%
- If this machine worked under environment of temperature below 0°C or the thermostat did not work, the water will become ice in the cold water tank and block the pipe.

Before Using Your Water Dispenser

- Before connecting the appliance to the power source, let it stand upright for approximately 2 hours. This will reduce the possibility of a malfunction in the cooling system from handling during transportation.
- The water dispenser is pre-cleaned at the factory but the reservoir and water lines must be flushed with fresh water before use as follows:
- Keep the unit unplugged.
- Fill water tank with tap water full to capacity. Wait for 5 minutes until water settles.
- Slide child safety button then push the hot water faucet until water comes out, then stop.
- Plug the dispenser into the electrical outlet. We are ready to complete the first cycle. In order to do that, wait for the hot water to reach temperature in approximately 10 minutes, and then wait for the cold to reach temperature (another 40 minutes, approximately).
- Unplug the dispenser from the electrical outlet. Proceed to drain the water from the faucets one at a time until no more water remains. (Note: To facilitate this operation, use a large container).

I Operating Instructions

- Then, drain any water left in the tanks by opening the drain plug located on the back, until it drains completely. Water may still remain in the headstock and will need to be disposed of manually.
- Proceed to close the drain cap.
- Remove the cap from the 5-gallon bottle and use a clean cloth to wipe off the neck of the bottle.
- Place the 5-gallon bottle of water on the water intake, allow water to stand for approximately one minute.
- Push water faucet buttons to insure water flows from both faucets.
- Plug dispenser back into the electrical outlet.
- Now you are ready to use your water dispenser.

Note:

Your water dispenser has been cleaned and sanitized before leaving the factory, but in case a taste problem develops, place two tablespoons of baking soda and add tap water. Fill water tank again and repeat basic operations previously outlined, except turn hot water function "OFF" to operation previously outlined, except turn hot water function "OFF" to avoid leaving residues in hot water tank.

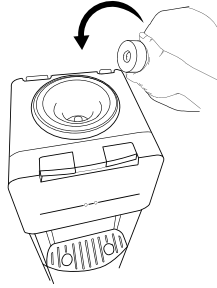
Note:

If you do not plan to use the water heating function for more than three days, we recommend that you turn off the hot water function.

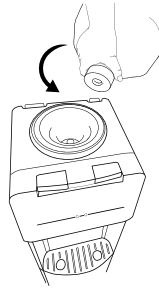
I Steps To Replace Water Bottles

Steps To Replace Water Bottles

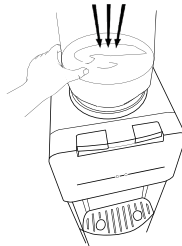
- Remove cap.
- Use a clean cloth to wipe off neck of bottle.



- Carefully lift bottle (approx. 40 lbs.) using your legs and not your back. Do not place hands on opening of bottle while placing in reservoir.



- Insert the water bottle on the water intake over reservoir opening so it settles properly on it.



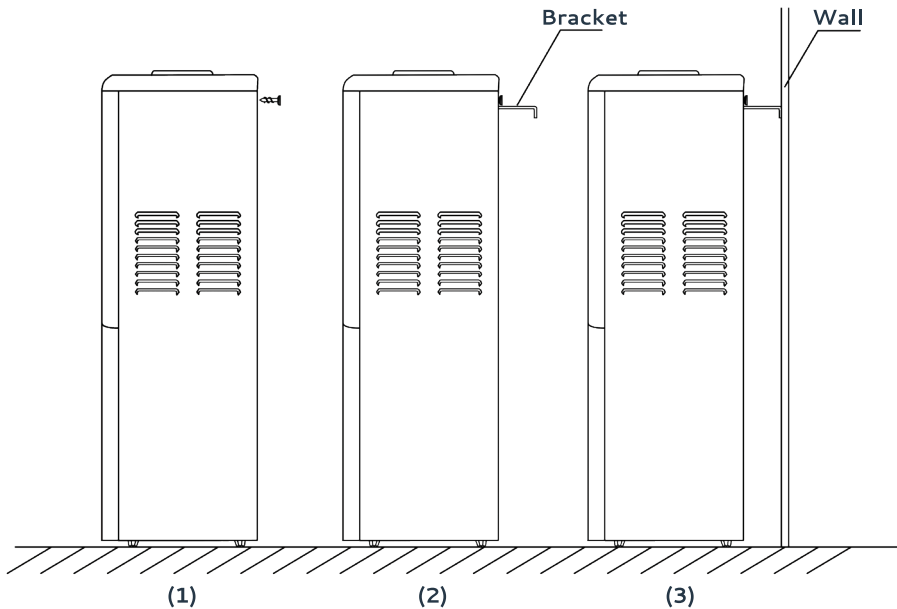
- Wipe off any water which may have splashed on dispenser top.
- When a new bottle is installed you must open the hot water faucet and remove no less than 4 full cups of water to insure the water flows properly and the water reservoir is at the proper level.

I Caution

Caution

- Do not use the bottle with any crack, leakage or holes.
- The back of the product should be put in shady places and kept away from wall and high-temperature elements. Please also put the product away from TV, video, or other valuables.
- Do not turn on “heating” switch until water comes out of hot water faucet to prevent any damage on the heating tube.
- During operation keep it beyond the children to avoid scald.
- Never turn on the heating switch when there is no water.
- When carrying it, the angle of inclination should be less than 45.
- Adopt the ground wire to avoid any electric shock.
- In the process of using, check the water receptacle frequently. If the water receptacle is full, please pour the water out in time.
- Do not turn on and off the “cooling” switch in three minutes to protect the compressor and extend the compressor usage life.
- This appliance is not intended for use by persons (including children) with reduced physical, sensory or mental capabilities, or lack of experience and knowledge, unless they have been given supervision or instruction concerning use of the appliance by a person responsible for their safety.
- WARNING–Do not use mechanical devices or other means to accelerate the defrosting process, other than those recommended by the manufacturer.
- WARNING–Do not damage the refrigerant circuit.
- WARNING–Do not use electrical appliances inside the food storage compartments of appliance, unless they are of the type recommended by the manufacturer.
- WARNING–To avoid a hazard due to instability of the appliance, it must be fixed in accordance with the instructions.

I Caution



- In order to ensure the water dispenser with enough stability, users should follow below instructions to fix the unit:
- 1. Remove one of the body rear's screw (upper right corner or upper left corner) (Picture 1)
- 2. Install a bracket where you have removed the screw already, fix the bracket tightening the removed screw on the right location(Picture 2)
- 3. Fix the bracket on the wall side or similar object (if the wall side is too rigidity), you can make a hole by electric drill, then using expanded screw tightening the bracket (Picture 3)
- 4.Children should be supervised to ensure that they do not play with the appliance.
- 5.Household used only
- 6.Do not store explosive substances such as aerosol cans with flammable propellant in this appliance.
- 7.If the supply cord is damaged, it must be replaced by the manufacturer, its service agent or similarly qualified persons in order to avoid a hazard.

I Maintenance

Maintenance

- Remove power plug or disconnect from the mains before performing any maintenance or servicing the product.
- Never use detergent or chemicals harmful to health to clean the water tanks.
- Do not directly spray water on the surface of the product.
- Wipe the front and back of the product with water-soaked soft cloth.
- If dust of other exterior substance has accumulated on the condenser, wipe off with water-soaked soft cloth.
- After cleaning the product, completely dry it. Fill the water to the tanks until water comes out of the hot water faucet, then connect the electric power plug. If the surface of the electric heater in the hot water tank is deposited by water deposition, heating capacity will decrease. Fill hot water tank with aqueous solution of 2% citric acid and keep for about two hours then cleaning. If the problems can not be solved, contact your dealer or the Service Center of our company.
- If the supply cord is damaged, it must be replaced by the manufacturer, its service agent or similarly qualified persons in order to avoid a hazard.

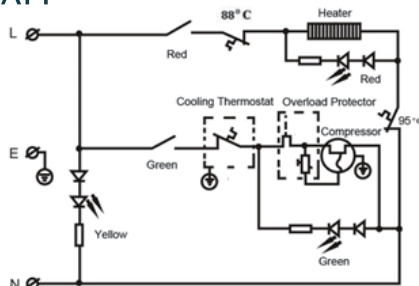
Taking Dispenser Out Of Service

- If the water dispenser will not be used for a long period of time, unplug the power supply cord.
- Turn off the hot water.
- Drain the water through the faucets.
- Drain the water from tanks by drainage hole from the back of the dispenser.

I Troubleshooting Guide

PROBLEM	POSSIBLE CAUSE
Water dispenser does not operate.	Not plugged in. The circuit breaker tripped or a blown fuse.
Water cooler is not cold enough.	Check to be sure the cold switch on the back is ON. The water dispenser does not have the correct clearances.
Water dispenser hot water is not hot enough.	Check to be sure the hot switch on the back is ON.
Compressor turns on and off frequently.	The room temperature is hotter than normal. The temperature control is not set correctly. The water dispenser does not have the correct clearances.
Vibrations.	Check to assure that the water dispenser is level
The water dispenser seems to make too much noise.	The rattling noise may come from the flow of the refrigerant, which is normal. As each cycle ends, you may hear gurgling sounds caused by the flow of refrigerant in your water dispenser. Contraction and expansion of the inside walls may cause popping and crackling noises. The water dispenser is not level.
Bottle feels warm.	The water system is overfilled. Dispense Cold water until air is released into the bottle.
Water bottle is hot.	Water is boiling in the hot tank and bubbling up into the bottle. Press the hot dispenser button until water flows to remove air from the hot tank.

WIRING DIAGRAM



Warranty and Service

This product is covered by a 12-month product and warranty from the date of initial purchase. In case of any problems, please contact the Customer Service Center via the contact information listed in this User Guide.

Our warranty covers replacement products by repairing or replacing any defective parts and labor necessary to bring it up to its original specifications, and we can provide a replacement product instead of repairing the defective product. Our sole obligation under this warranty is limited to such repair or replacement.

Any claim will require a receipt showing the date of purchase, so please keep all receipts in a safe place. While greatly appreciated, product registrant is not required to activate any warranty and product registration does not eliminate the need for proof of original purchase. The warranty will be voided if repairs are performed by a non-authorized third party and/or if spare parts other than those provided by us are used. These are the general terms of our warranty service, but we always urge our customers to contact us (support@homyd.com) with any questions they may have, regardless of the terms of the warranty.

